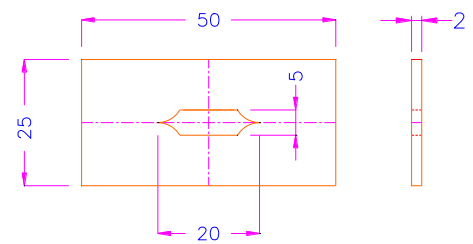
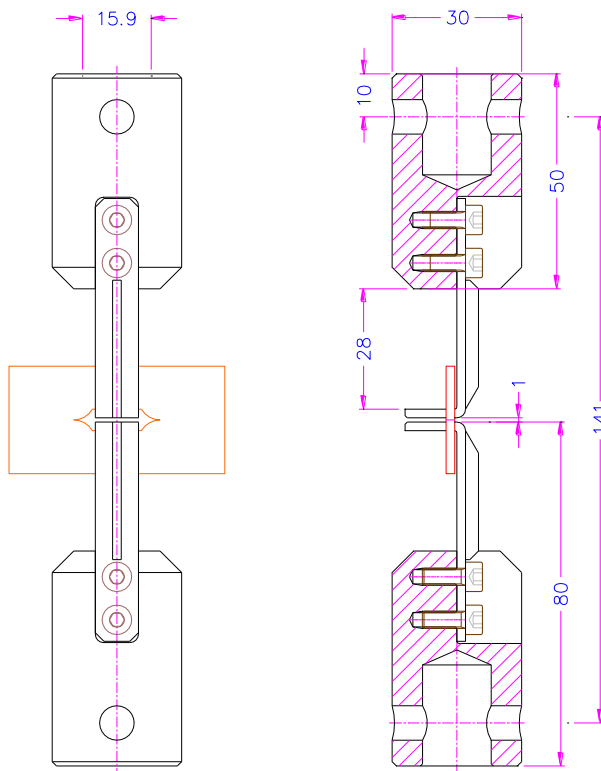


## LEATHER TEST FIXTURES

according to DIN EN ISO3377-2 (item no. THS694-20),  
and ISO23910, DIN53331, ST-04 (item no. THS694-10).

Hook test fixture to determine the tear strength of leather using 2 hooks (double edged tear) to **DIN EN ISO3377-2**

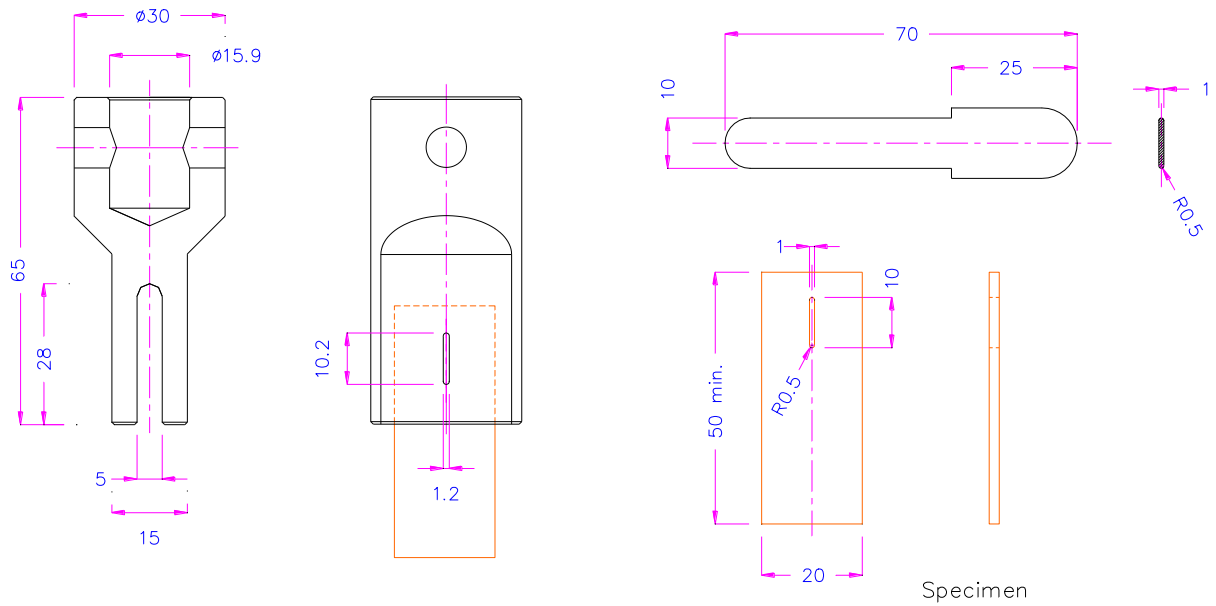
<b>Item no.:</b>	<b>THS694-20</b>
Max. load:	5 kN
Coupling:	Af159. Further couplings on request.
Adapter:	Steel, nickel-plated
Hook:	V2A stainless steel
Temperature range:	0 ... 70°C Further temperature ranges on request
Scope of delivery:	1 pair of fixtures



Specimen

Test fixture to determine stitch tear resistance of leather according to **ISO23910, DIN53331, ST-04**

<b>Item no.:</b>	<b>THS694-10</b>
Max. load:	5 kN
Coupling:	Af159. Further couplings on request
Adapter:	Steel, 52 HRC hardened, nickel-plated
Pin:	V2A stainless steel
Temperature range:	0 ... 70°C Further temperature ranges on request
Weight:	0.4 kg
Scope of delivery:	1 fixture (lower grip is required, not included in price)



**For the lower grip we recommend TH240k+BP**

