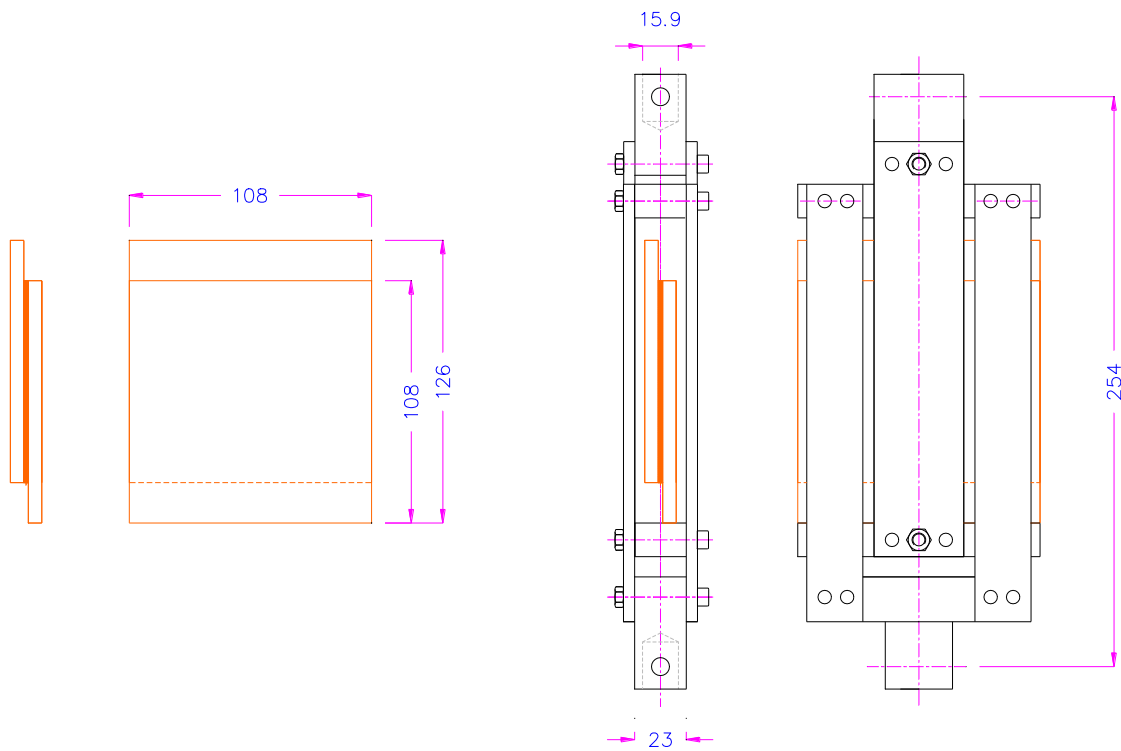


SHEAR TEST FIXTURE

to determine shear adhesion strength of dispersion adhesives conform to EN1324, Fig.3, EN12003, Fig.3, ISO13007-2, Fig.10, EN12004-2, Fig.4

Item No.:	THS450-EN1324-Fig3
Standard coupling:	Af15.9 mm Further couplings on request
Body:	Steel, nickel coating
Standard temperature range:	0° ... +70°C
Weight per fixture:	Ca. 2.8 kg
Scope of delivery:	1 fixture



THS450-Af159