

COMPRESSION PLATENS

Self-aligning and fixable platens.
Spherical seat – the platen adjusts to the specimen.
It is possible to fix the platen at a required angle with 4 nuts.

THS223i:

- For lightweight specimens (packaging material etc.)
- Aluminum, anodized

THS223k, THS223g, THS223w, THS223z:

- Applicable for all types of compression tests; for concrete etc.
- Steel 58 HRC, nickel-plated

THS223b:

- Platens with a large angular displacement of up to 15°
- Aluminum, anodized (-Al) or steel 58 HRC, nickel-plated (-St)

Ordering information

Scope of delivery: 1 platen



THS223i for adapters up to 8 -10 mm Ø			
Item no.	Diameter	Weight	Radius
THS223i-56	56 mm	60 g	50

THS223k for adapters 12 - 25 mm Ø			
Item no.	Diameter	Weight	Radius
THS223k-56	56 mm	1.27 kg	100
THS223k-96	96 mm	1.4 kg	100
THS223k-116	116 mm	1.7 kg	100
THS223k-156	156 mm	2.7 kg	100
THS223k-196	196 mm	3.95 kg	100

THS223g for adapters 30 - 50 mm Ø			
Item no.	Diameter	Weight	Radius
THS223g-56	56 mm	5.3 kg	200
THS223g-96	96 mm	6.1 kg	200
THS223g-116	116 mm	6.5 kg	200
THS223g-156	156 mm	7.1 kg	200
THS223g-196	196 mm	7.4 kg	200

THS223w for adapters 50 - 60 mm Ø			
Item no.	Diameter	Weight	Radius
THS223w-156	156 mm	7 kg	300
THS223w-196	196 mm	9.8 kg	300

THS223z for adapters larger than 60 mm Ø

On request

THS223b: standard adapter Af15.9 mm

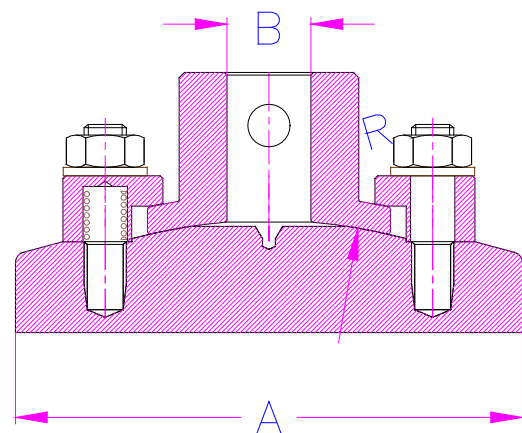
Further adapters on request

Item no.	Diameter	Weight	Angle
THS223b-100-Al	100 mm	0.9 kg	+/-15°
THS223b-150-Al	150 mm	1.5 kg	+/-15°
THS223b-200-Al	200 mm	2.1 kg	+/-15°
THS223b-200-St	200 mm	5.2 kg	+/-15°

Adapters to mount THS223 platen on TH36 platen

Item no.	Description:
THS223k-Af159-TH36	Adapter to mount THS223k on TH36, angle +/-1.5°, coupling Af15.9 mm
THS223g-Af159-TH36	Adapter to mount THS223g on TH36, angle +/-1.5°, coupling Af15.9 mm
THS223b-Af159-TH36	Adapter to mount THS223b on TH36, angle +/-15°, coupling Af15.9 mm

Further dimensions and modifications on request



Max. capacity depends on coupling size (B).

Types i k g w Z b X:

i = very small
k = small
g = large
w = very large
Z = very large, pitch circle diameter
B = large angle
X = eXotic solution

i = adapter 8, spherical radius R50
k = adapter 14-20, spherical radius R100
g = adapter 30..bis 50, spherical radius R200
w = adapter 60-70, spherical radius R300, inner Ø of clamping ring 116 mm
Z = adapter 80, spherical radius R300, inner Ø of clamping ring 125 mm
B = +/-15° swivelling, spherical radius b30 (30 mm Ø for Af159 and Af20; -b60 - 60 mm Ø for Af30)
X = with pitch circle, external spring (without Af or Am adapter)
S = with internal thread, external spring, exotic solution



THS223i-56



THS223k-116



THS223b-100-Al Aluminum



THS223b-200-St Steel



0.5 x TH23-56-Af159-St +
1 x THS223k-56

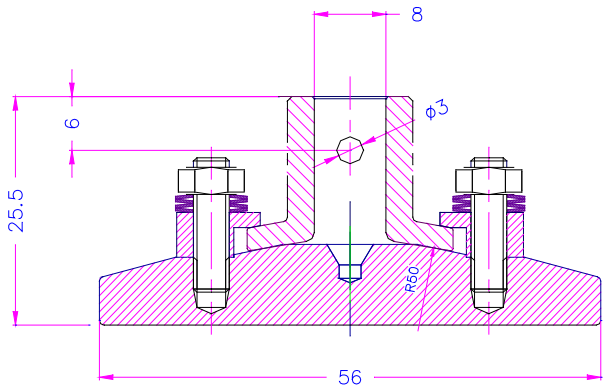


Self-aligning platen THS223 can be combined with a rigid platen TH23 ([Datenblatt TH23](#)).

Ordering information for the combination Rigid + Self-aligning platen: 0.5 pair of TH23 + 1 platen THS223.

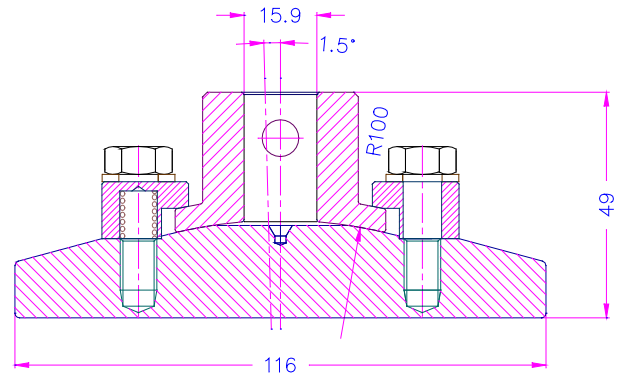
Combination for square platen: 1x rigid and 1x self-aligning platen.

For example on the picture above: 1 pair of square TH36-250 platens combined with an intermediate platen THS223k-Af159-TH36 with self-aligning adapter. The intermediate platen is mounted on the aluminium platen.

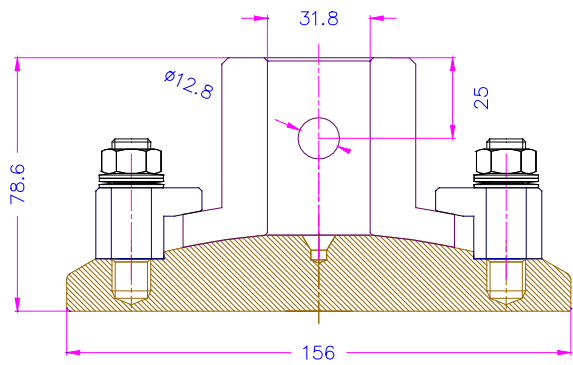


60gr Alu

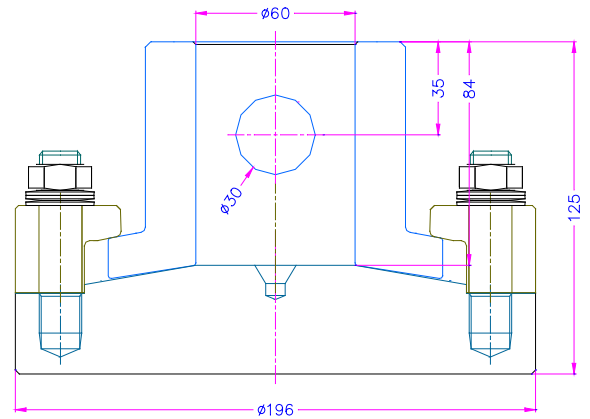
THS223i-56-Af8



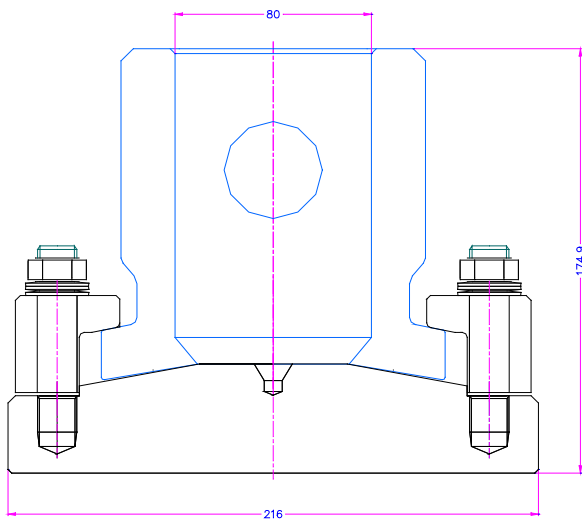
THS223k-116-Af159



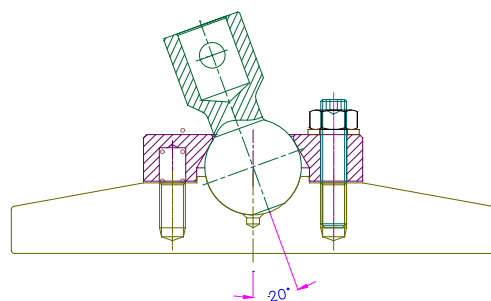
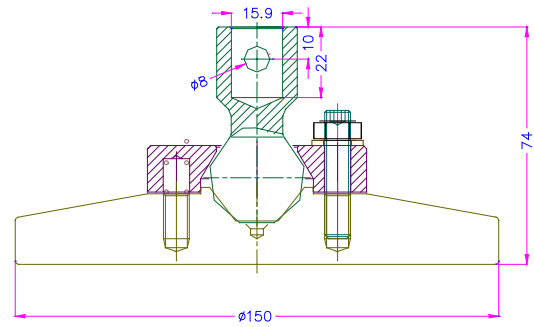
THS223g-156-Af318



THS223w-196-6030-35



THS223z-156-Af80



THS223b-150-Af159-AI

Examples for customized modifications:



THS223b-220-M20
Steel spherically seated compression platen 600 kN



THS223s-136



Round platen TH36L-D200-L6x20-AL +
Self-aligning adapter THS223k-Af159-TH36