

Coefficient of Friction Test Fixture

TH62-M and TH62-F

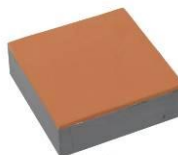


Fixture to test friction coefficient
Pulley with light moving ball bearing

Tensile force: 500 N

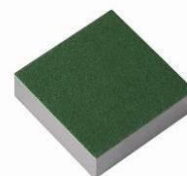
Platen: 270x150 mm (TH62-M or TH62-F)
470x150 mm (TH62-M-P470 or TH62-F-P470)
570x150 mm (TH62-M-P570 or TH62-M-P570)

TH62-M:
ASTM-D1894, TAPPI T549

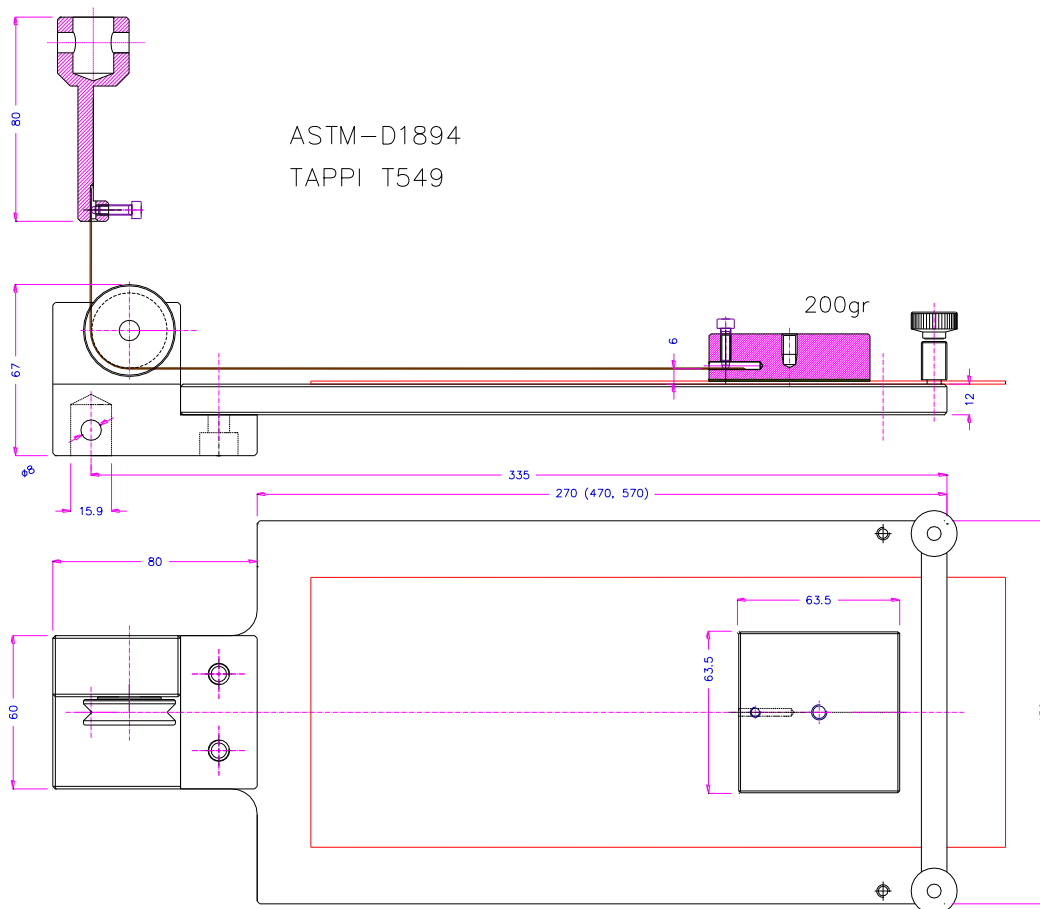


Fixture including 200 g weight (covered with cellular rubber)

TH62-F:
DIN53375, ISO8295

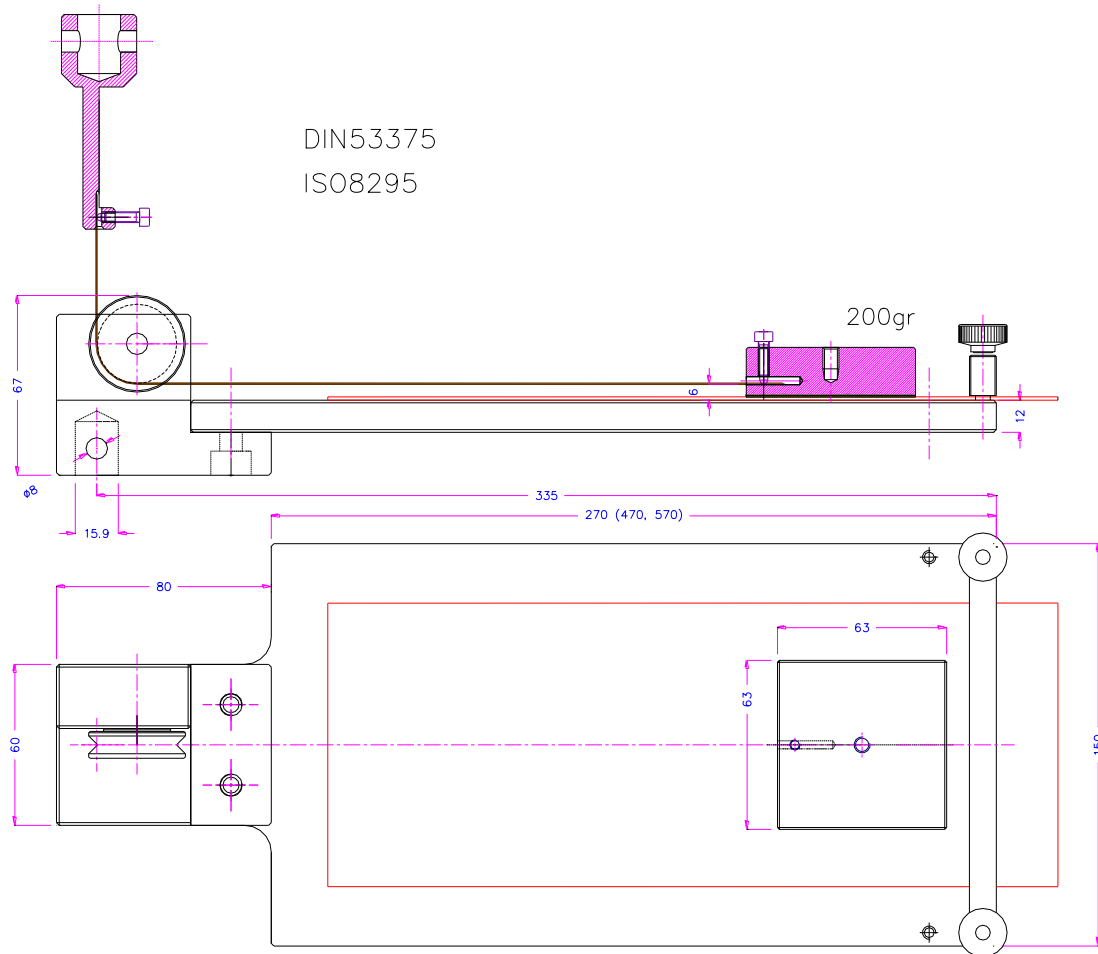


Fixture including 200 g weight (covered with felt)



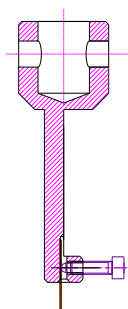
Alu 3 kg

TH62-M



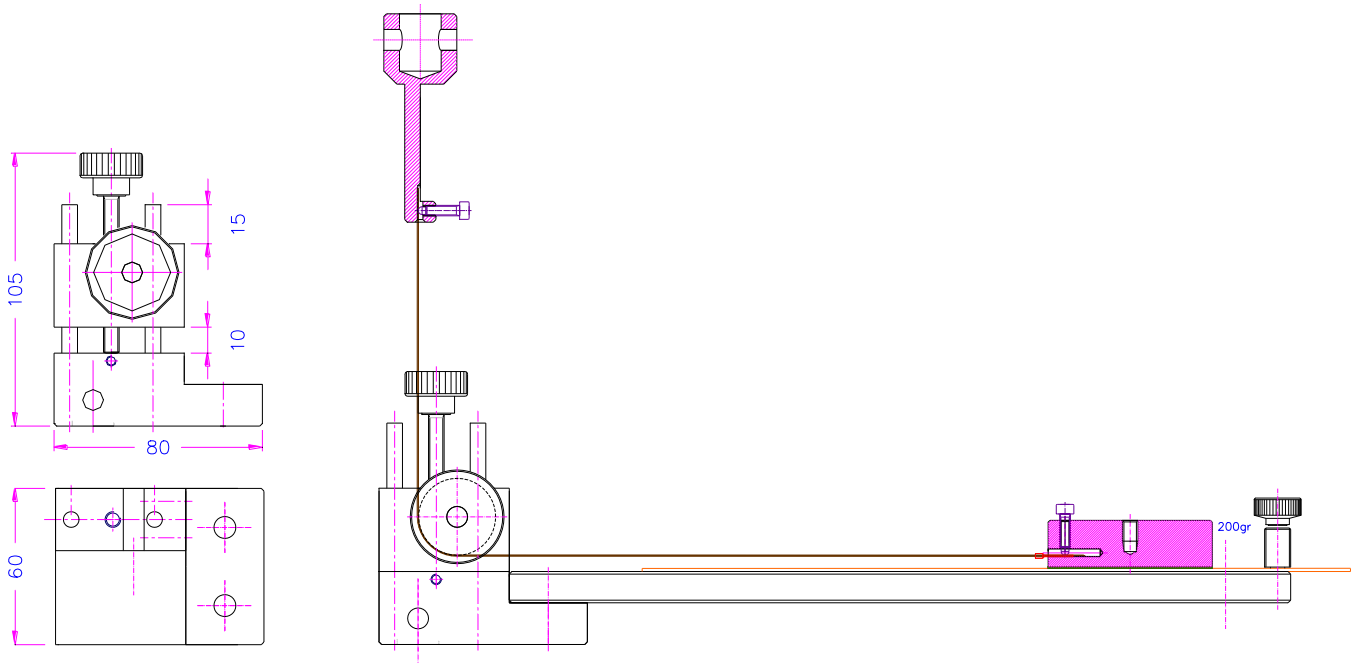
Alu 3 kg

TH62-F

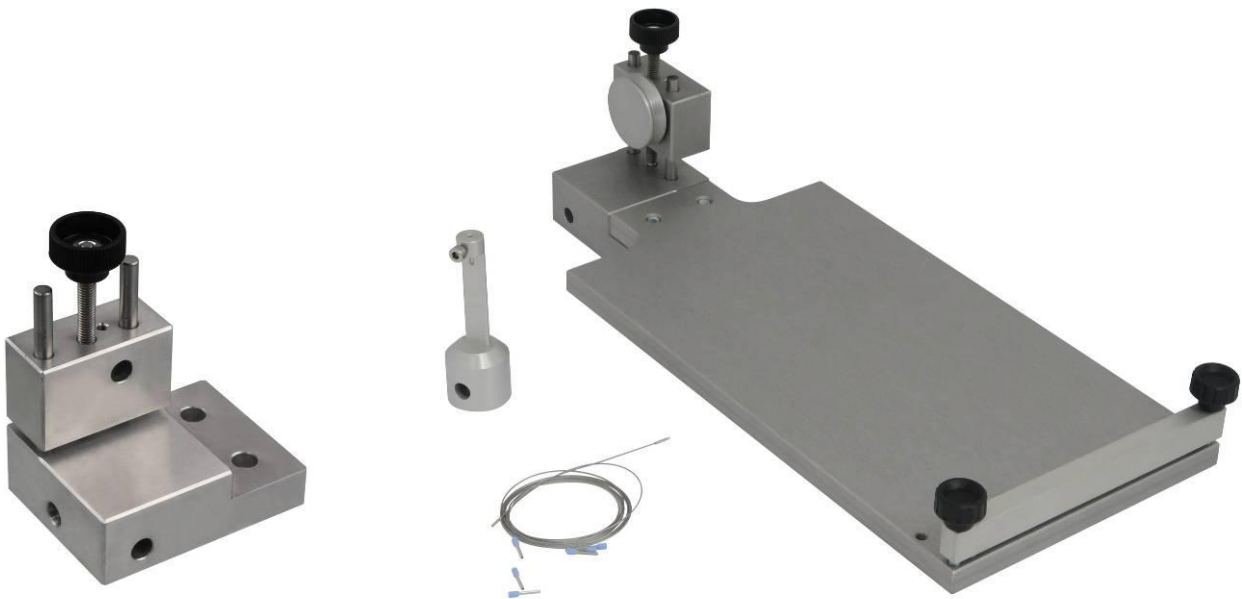


TH62-oAf159 Weight: 0.038 kg
TH62-oAf20 Weight: 0.030 kg

Pulley with adjustable height
Item no.: TH62-H25



TH62-H25



Optional accessory for TH62



TH62-HS

Folding sledge with magnet fastener to keep thin samples (like foils, paper) secure in place

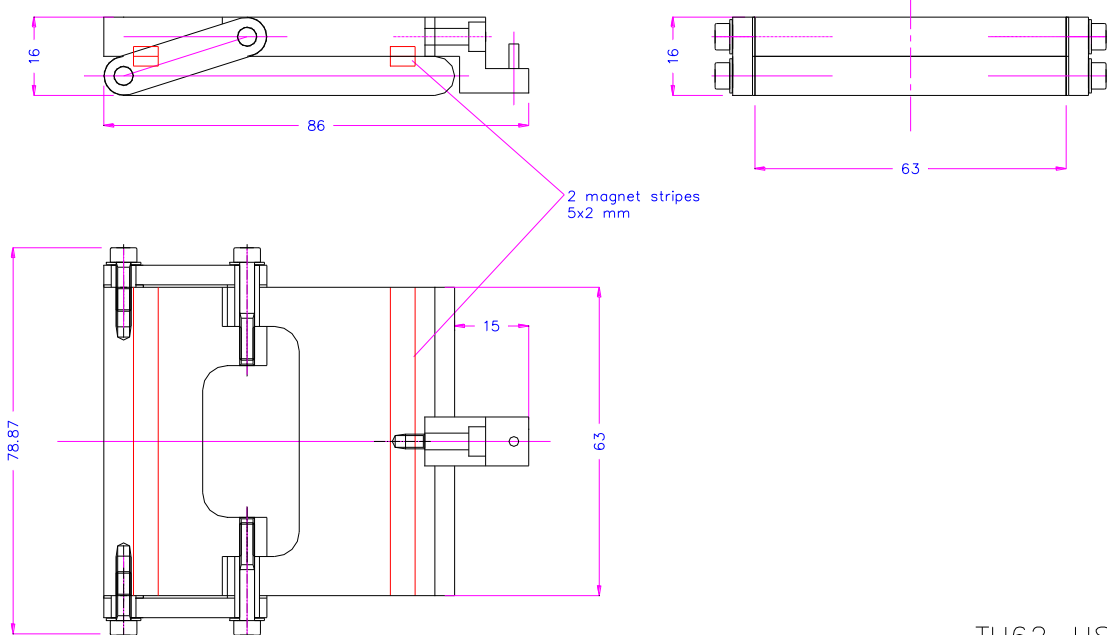
Weight 200 g

See also ISO8250

Videos:

How to insert a specimen:
<https://youtu.be/QFNiCYJaoFY>

How to attach the sled to the wire anchor:
<https://youtu.be/1EwLI9oLHdU>



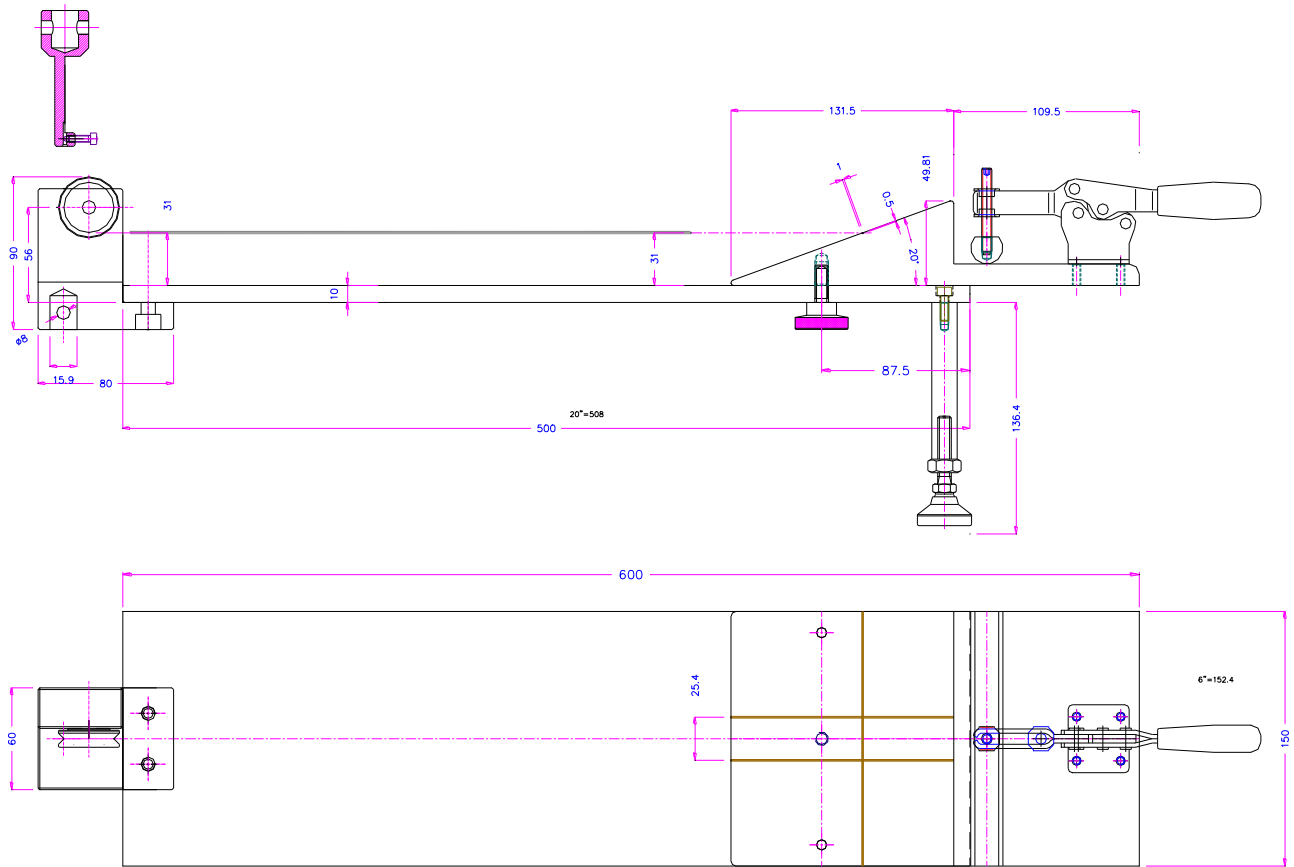
TH62-HS

Similar Fixtures Conform to Other Standards



TH62-20-500

Peel cling of stretch wrap film fixture
ASTM-D5458
Size 500x150 mm

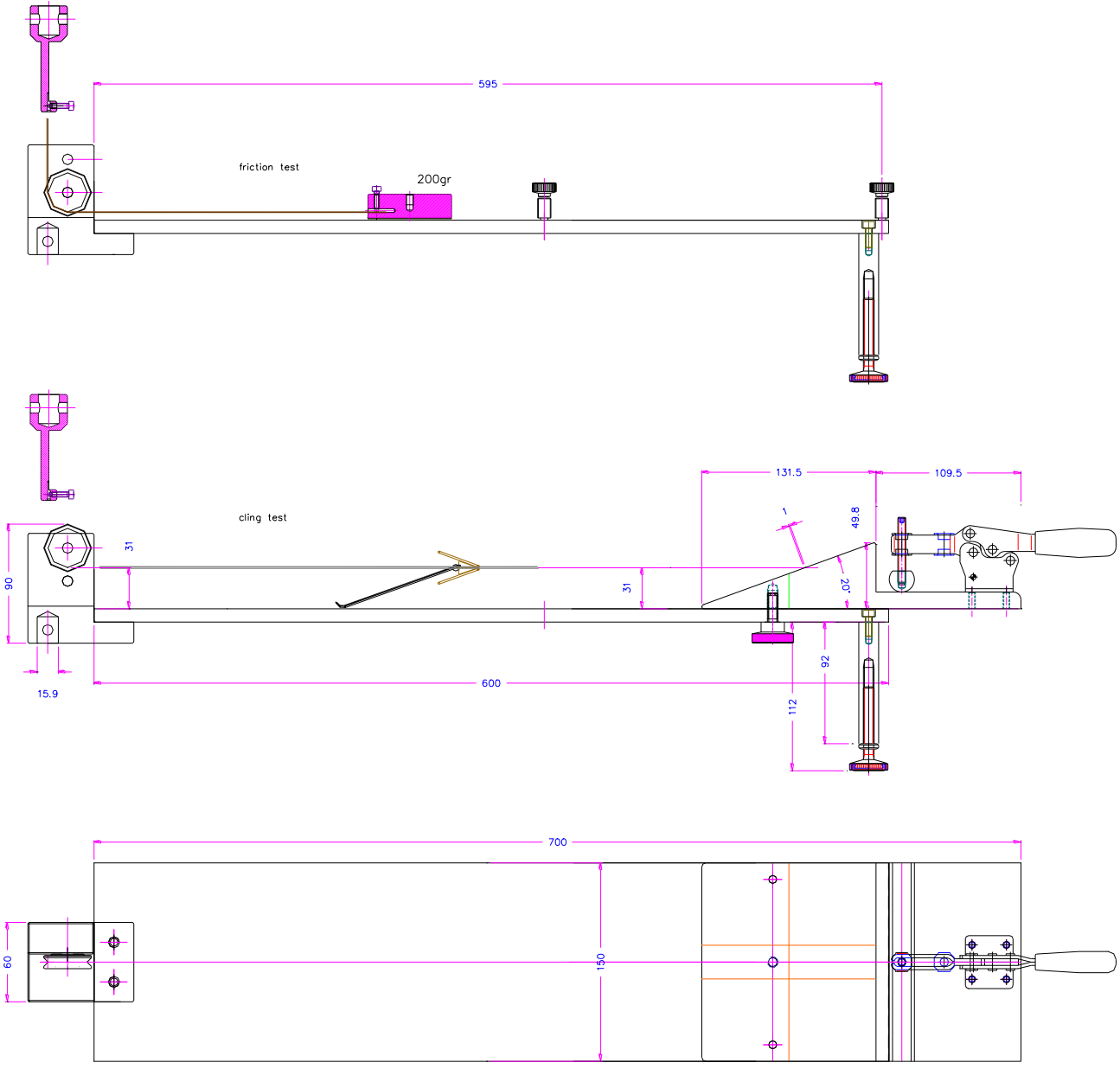


TH62-20-500



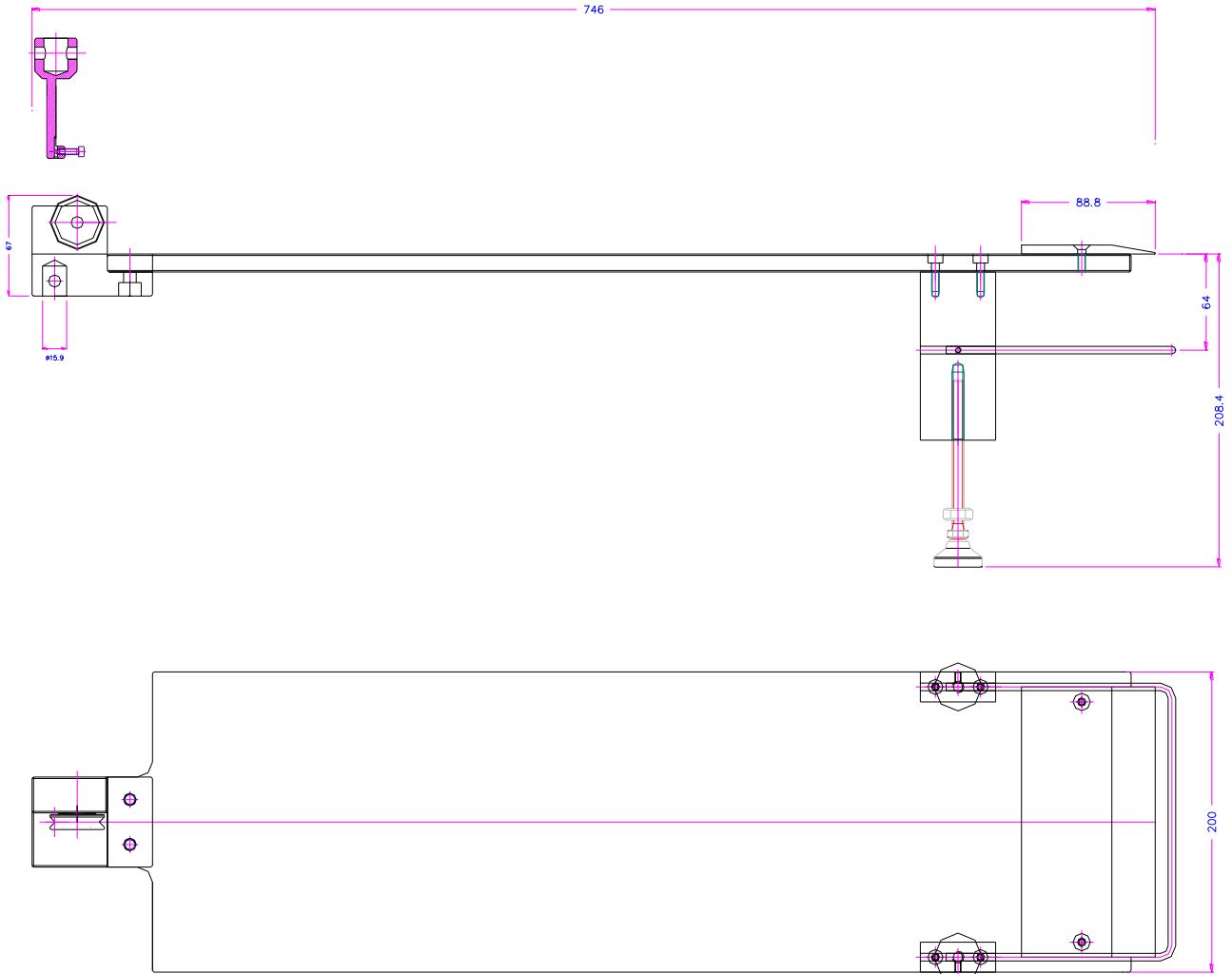
TH62-20-600

Peel cling of stretch wrap film fixture
ASTM-D5458
Size 600x150 mm



TH62-20-600

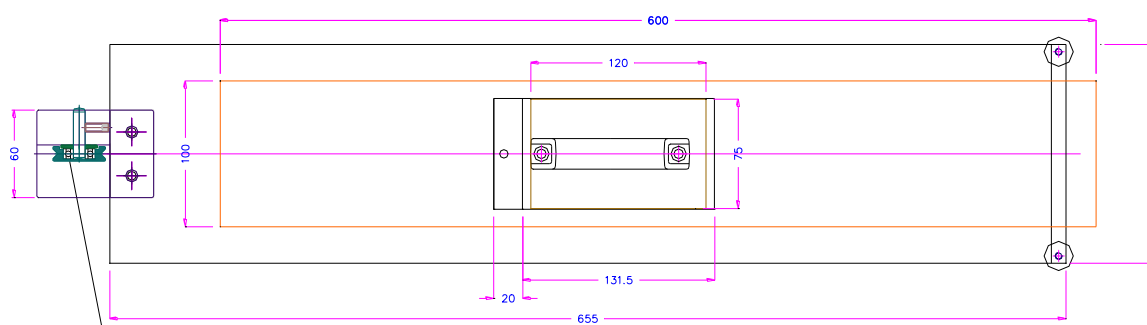
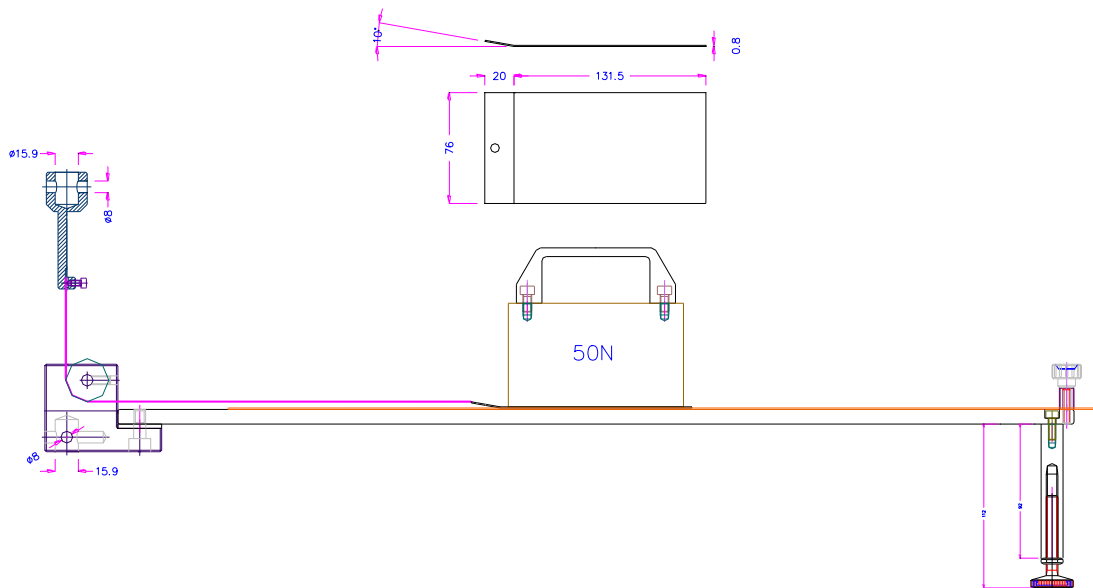
TH62-30



TH62-30

TH62-40-ISO21182

Peel fixture according to ISO 21182
Slide weight, 50 N



bearing glue on pin

TH62-40-ISO21182